

巴德尔-纳米核心
BADEER
YM-L028-BDS

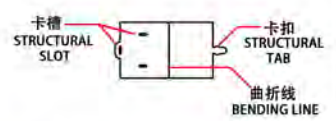
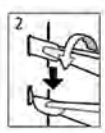


组装基本步骤示意图
BASIC ASSEMBLING STEPS

固定方式一：
将卡扣穿过对应固定孔，
按对应角度曲折（图一）
Fitting method 1:
put the tab in the slot,
bend properly(p1)



固定方式二：
将卡扣穿过对应固定孔，
用钳子类工具垂直扭曲固
定卡扣（图二）
Fitting method 2:
put the tab in the slot,
bend the tab vertically
with plier(p2).

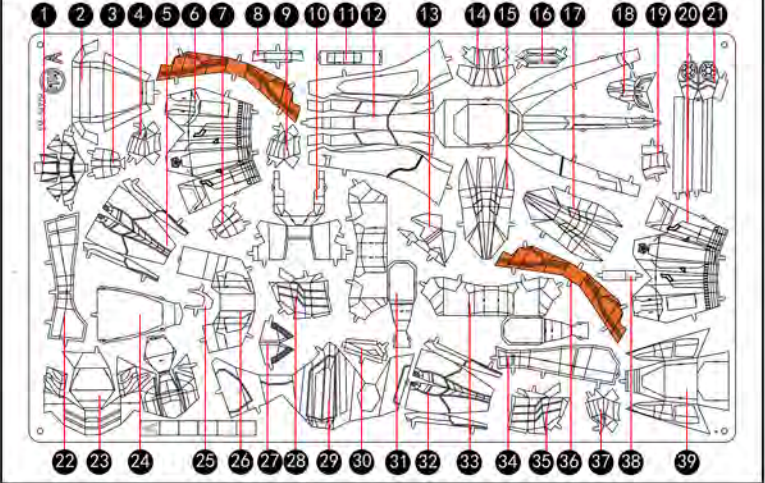


- ⚠️ 注意拼装前带手指套
Take finger cuts before assembly
- ⚠️ 相同颜色的板件为统一编号
The number of the parts of the same colour is unified

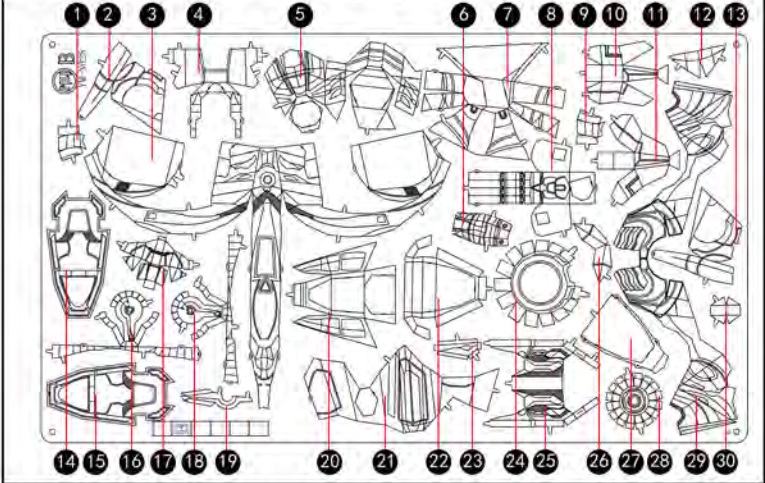
水贴使用方法
用小的器皿装水，把要贴的水贴剪好，用手或镊子夹好，放入水中，一般水贴大约
只需要静置5-10秒，然后连同底纸拿起，注意，不要让水贴跟底纸分离，放到餐巾纸
上把水吸掉，拿到模型上要贴的部位，夹住底纸用棉签把水贴跟底纸轻轻分离，贴
然后再用棉签调整一下位置
Water Decal Usage
Ready some water in a small vessel. Cut the decal first, grab the decal with
tweezer or hands, submerge the decal in the water for about 5-10 seconds. Notice
do not separate the decal with the based paper yet. Put the decal on the place
you want, and suck the water with paper towel. Then slowly slide the decal from
the base paper to the part with cottonbud. At last, fix the position on the model.

- ⚠️ 注意细节
ATTENTION TO DETAIL
- ➡️ 优先拼装
FIRST TO ASSEMBLY
- 非纹理面
Non textured surface

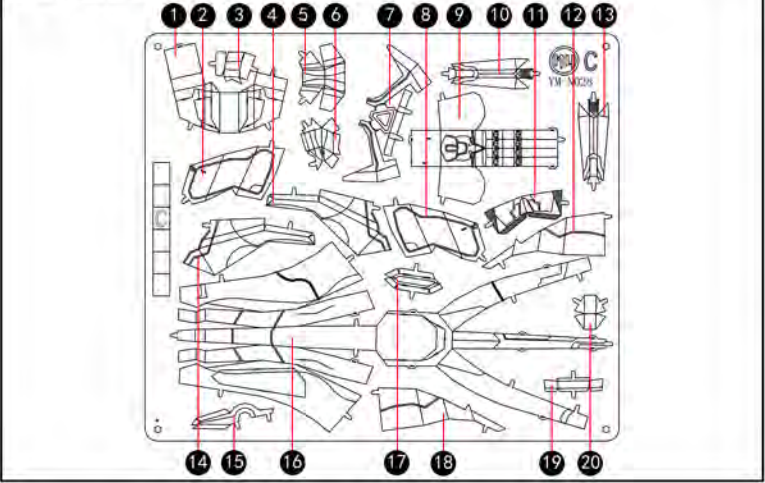
金属部件A METAL SHEET-A



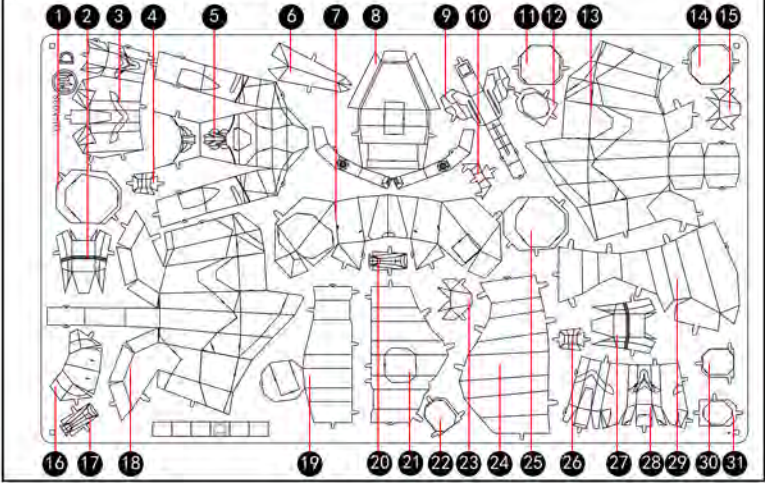
金属部件B METAL SHEET-B



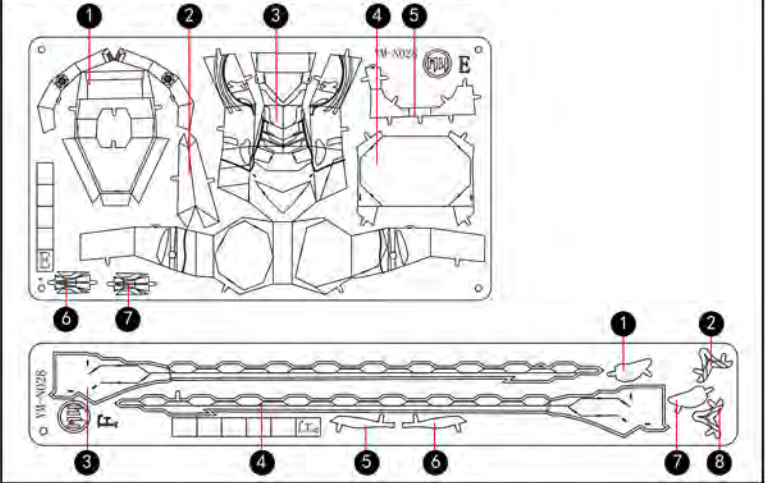
金属部件C METAL SHEET-C



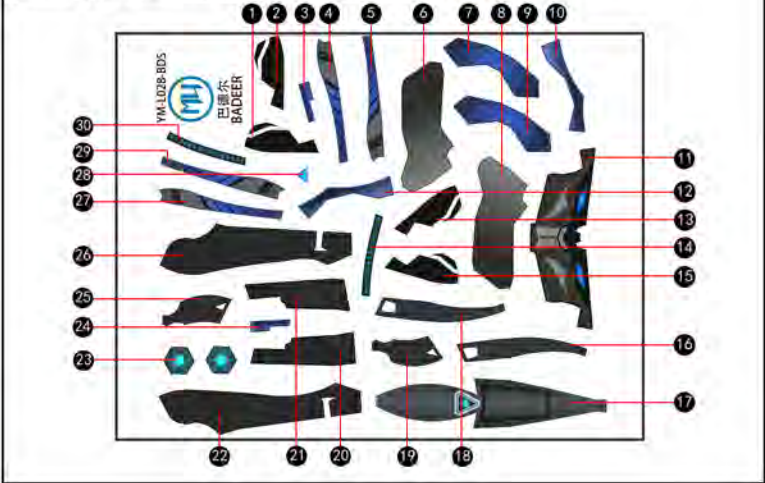
金属部件D METAL SHEET-D

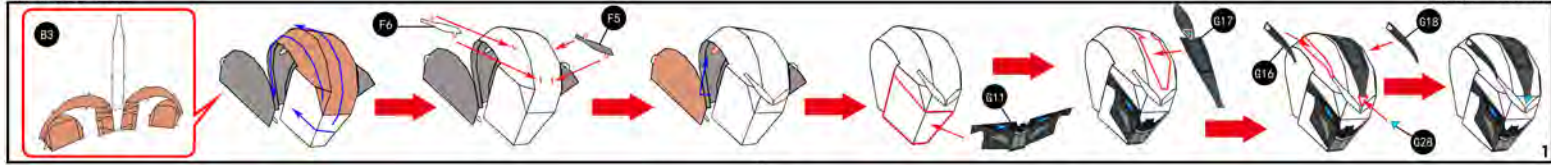


金属部件E/F METAL SHEET-E/F

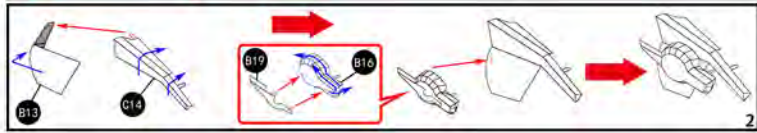


水贴部件G THE DECAL PART-G

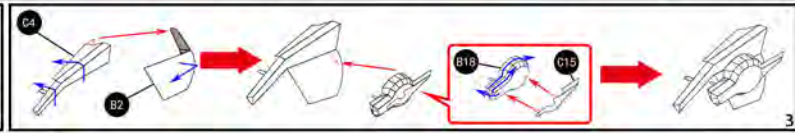




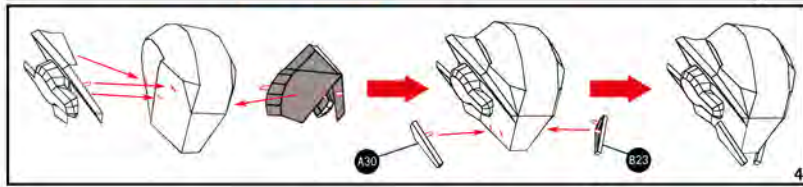
1



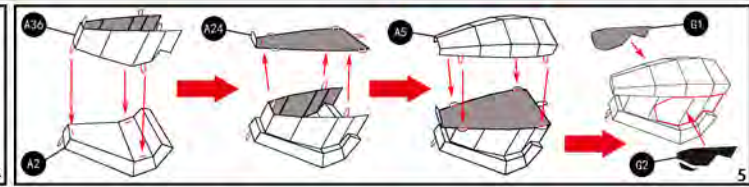
2



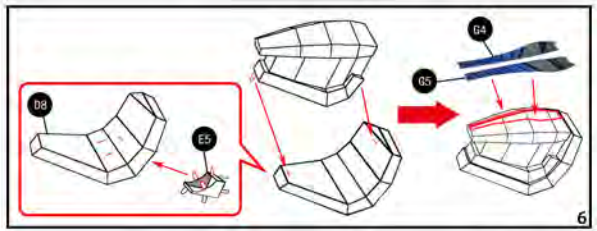
3



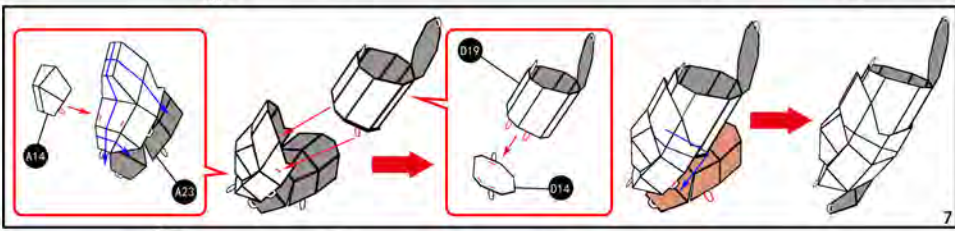
4



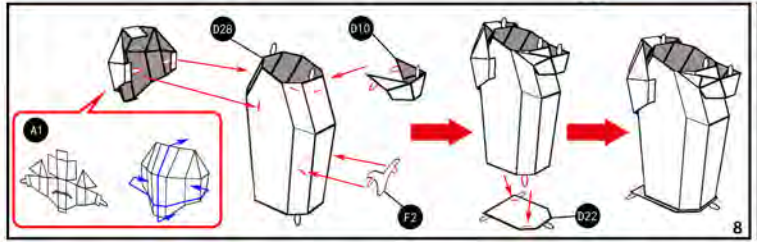
5



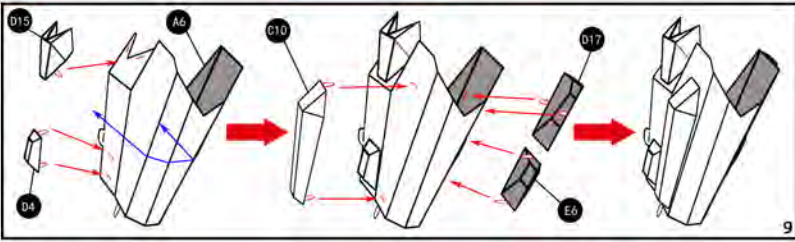
6



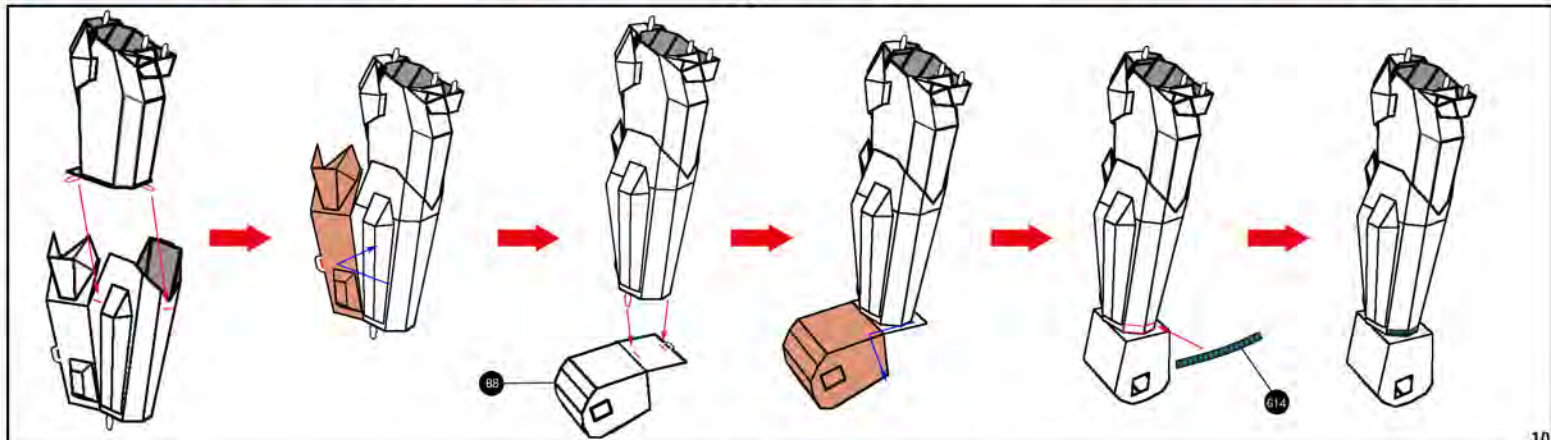
7



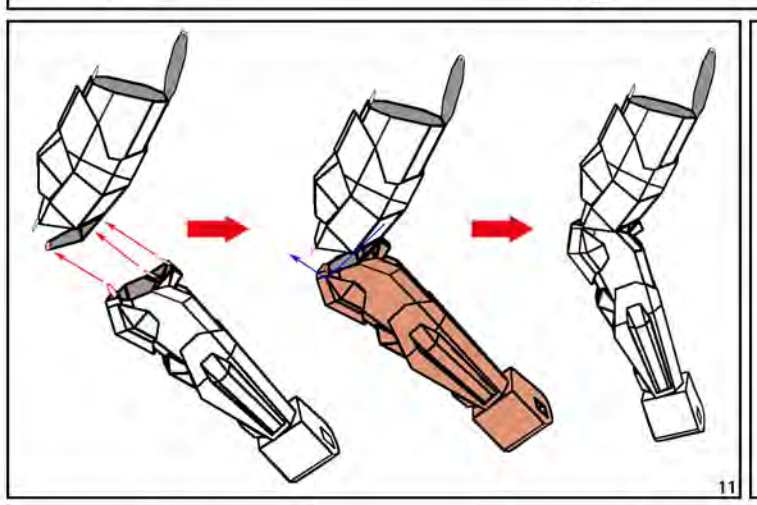
8



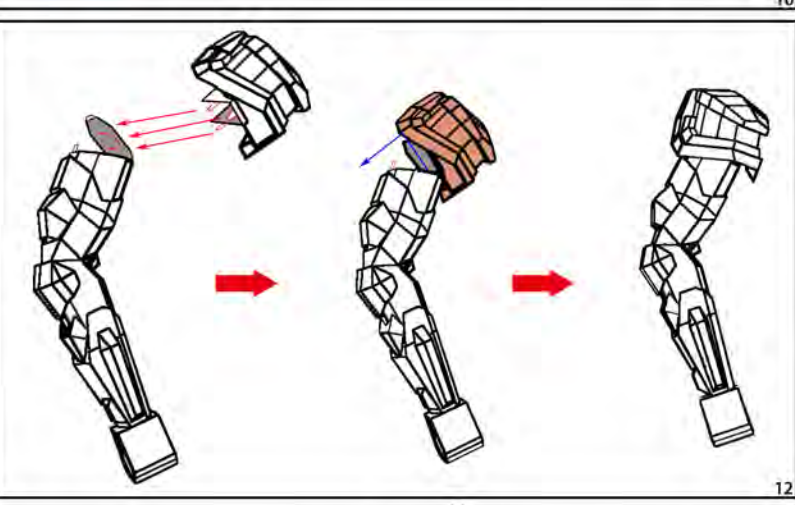
9



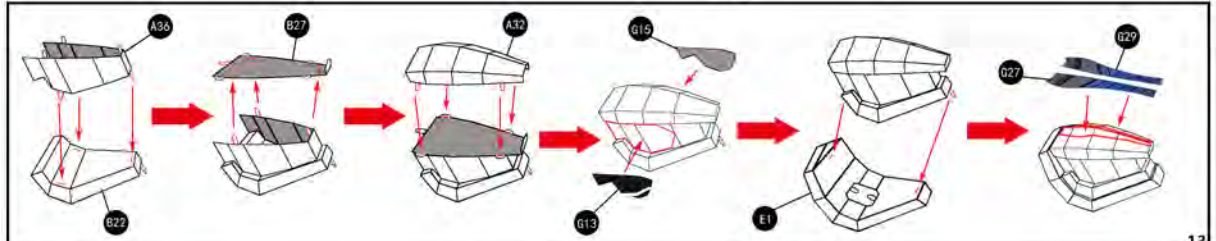
10



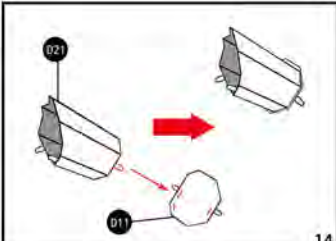
11



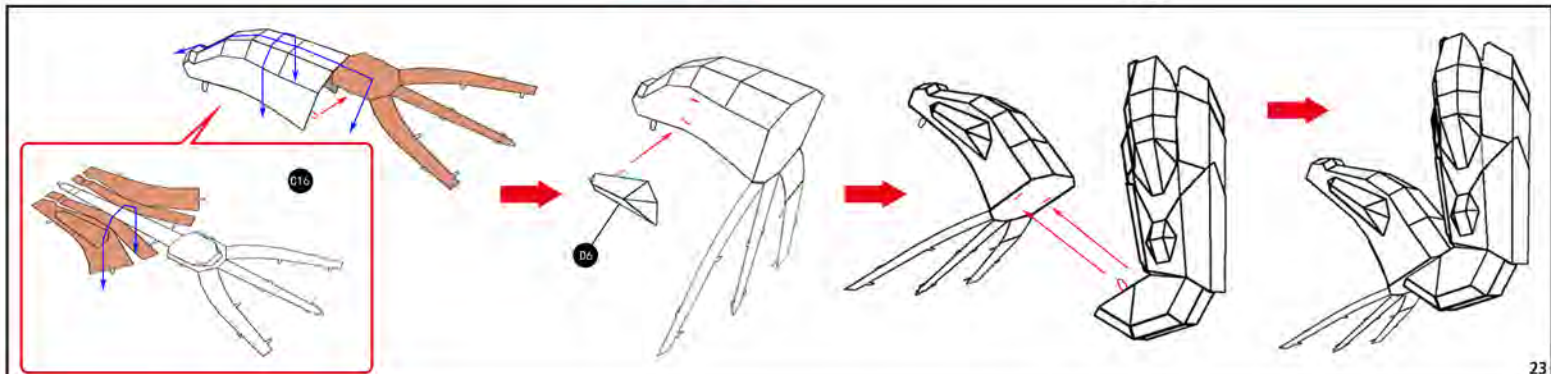
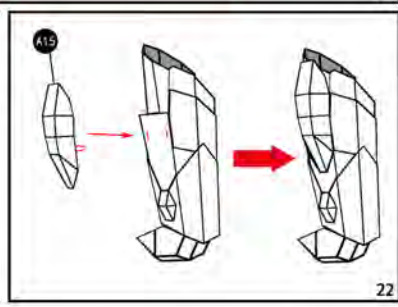
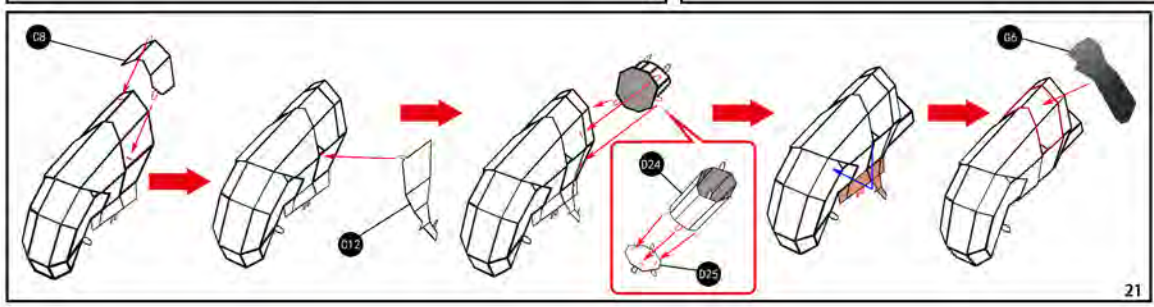
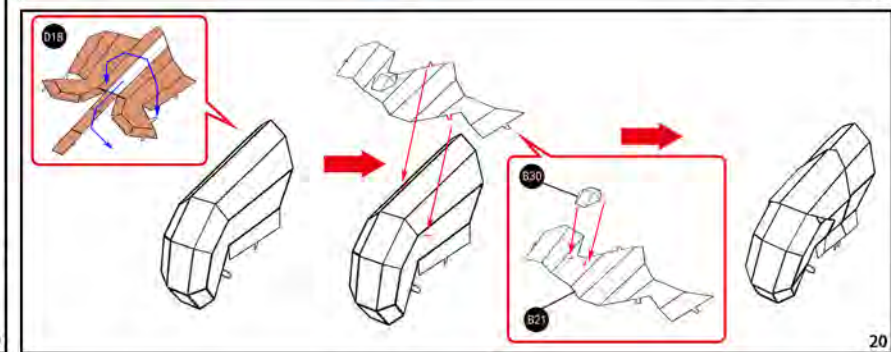
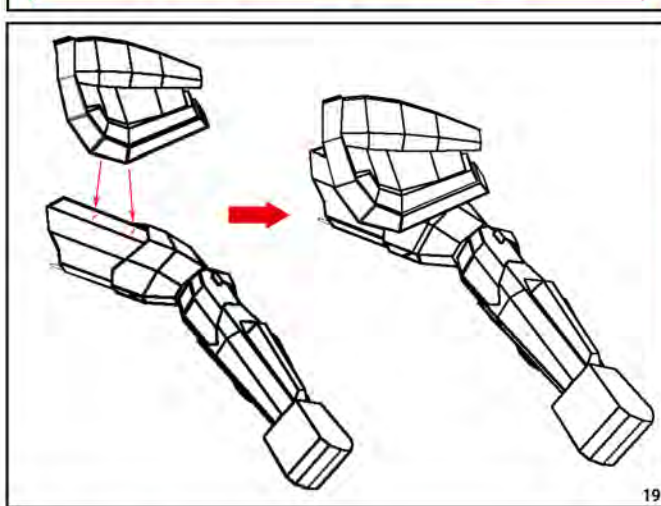
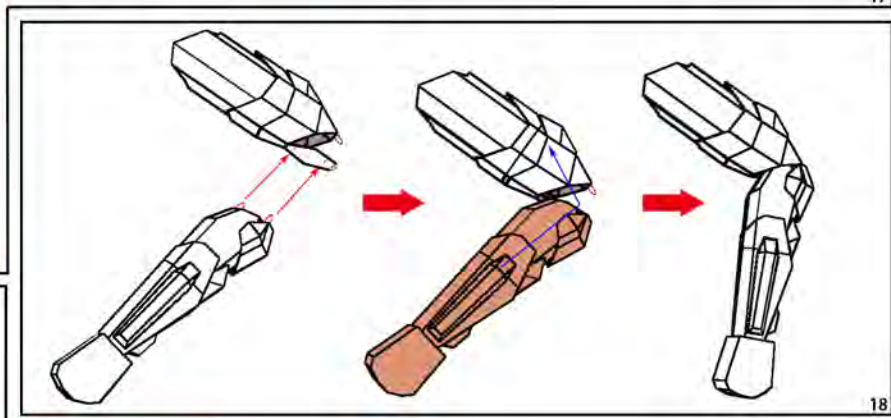
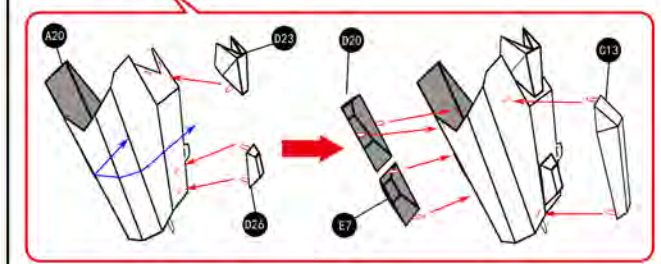
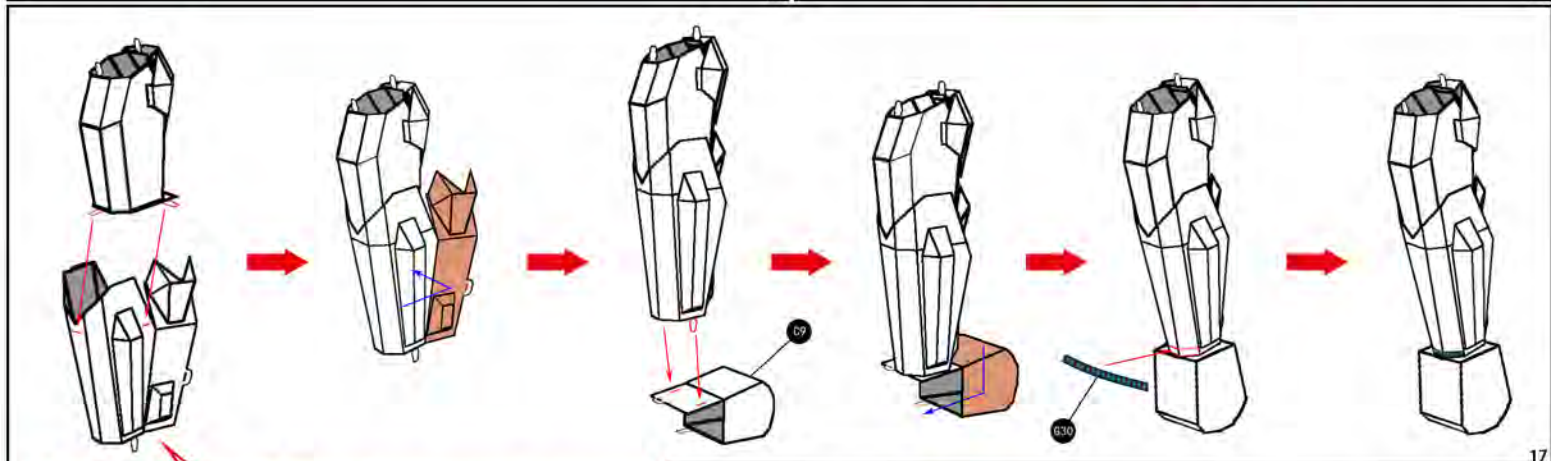
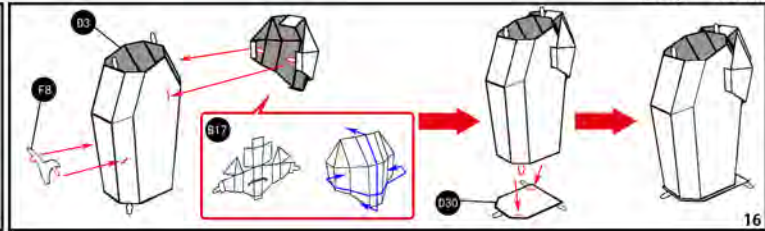
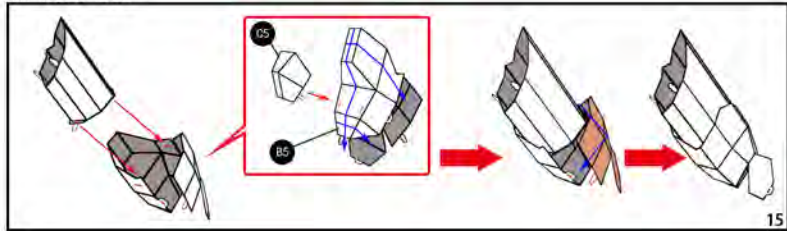
12

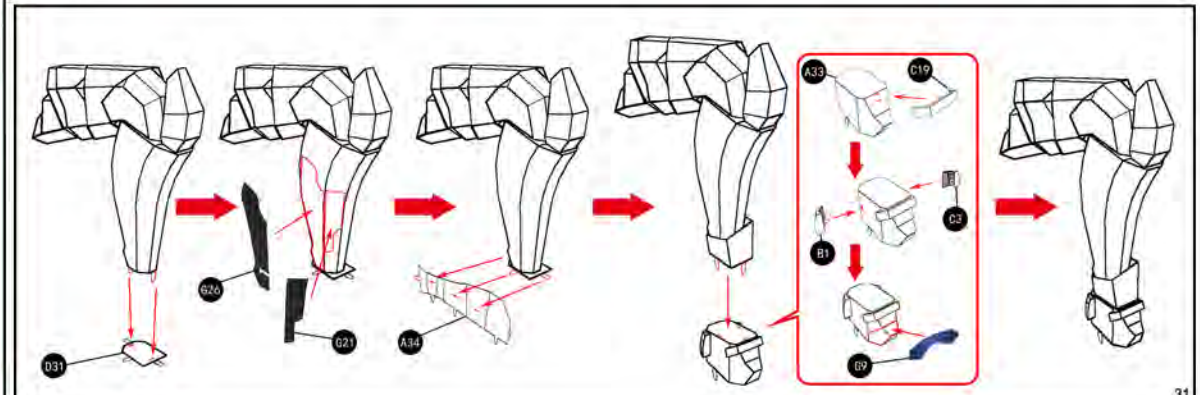
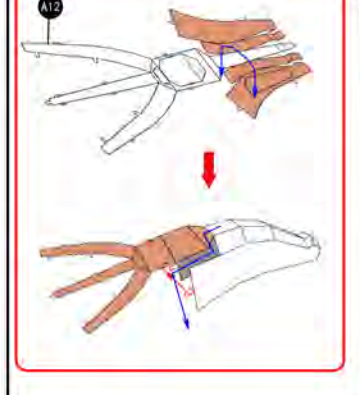
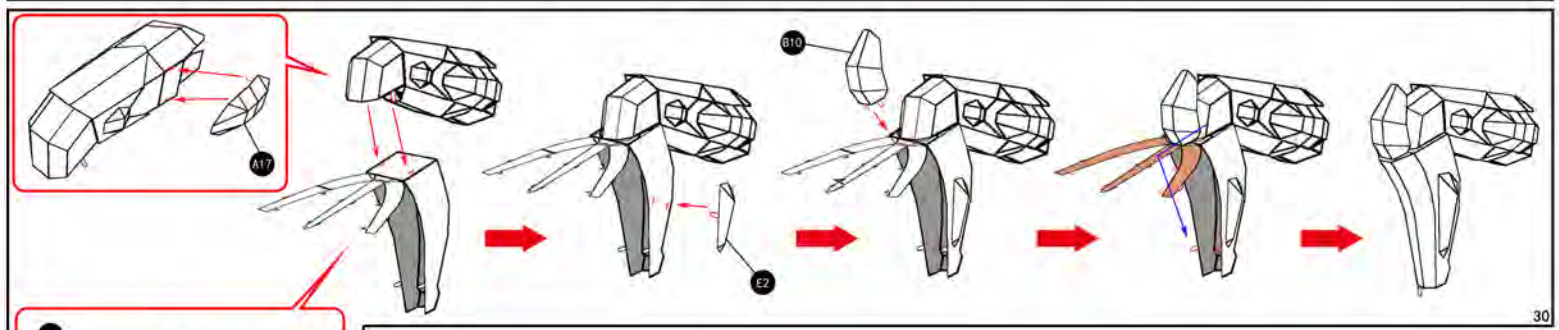
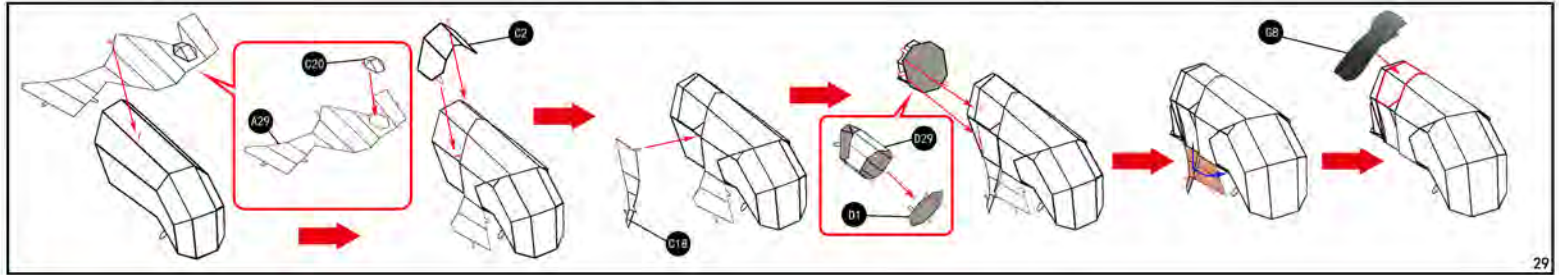
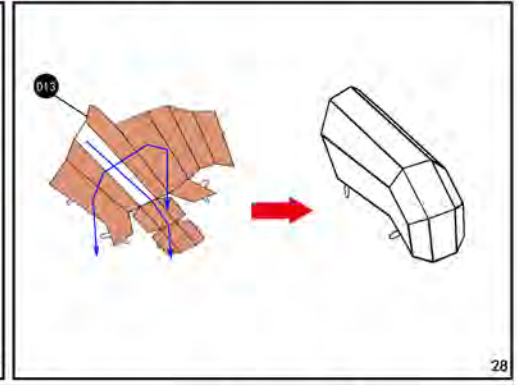
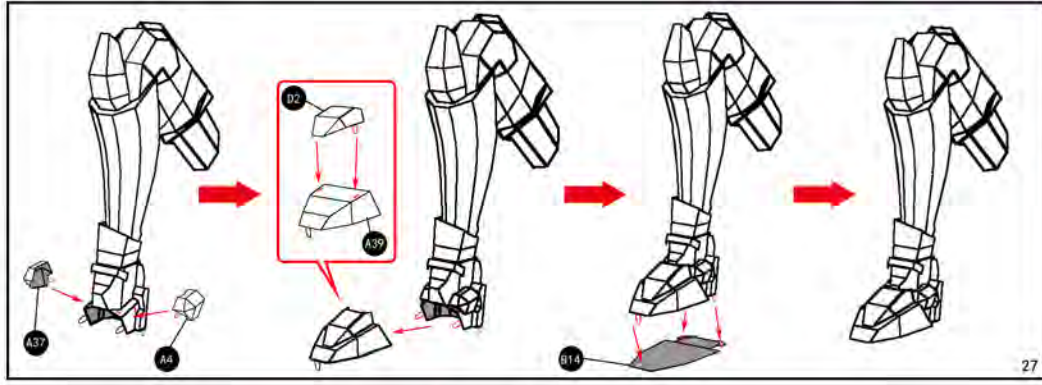
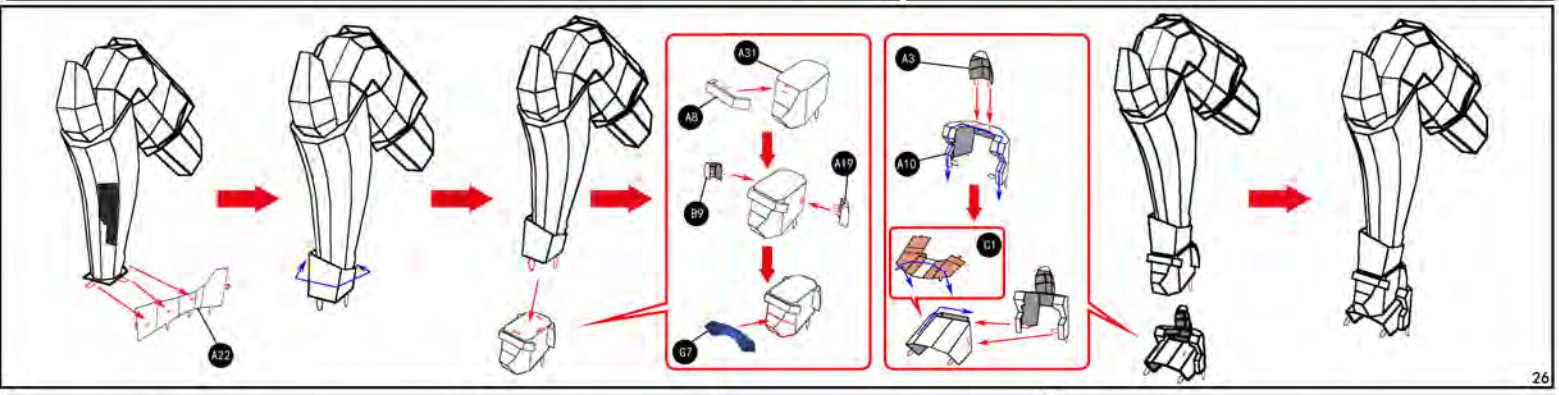
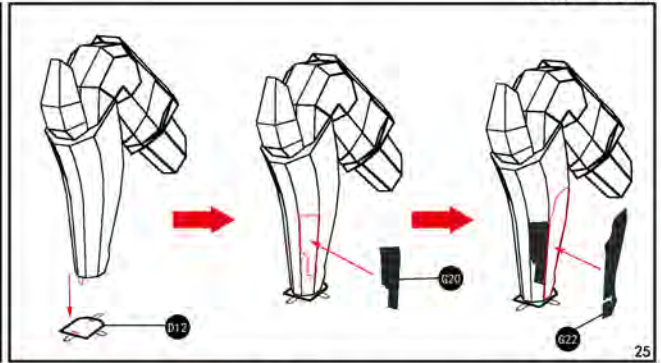
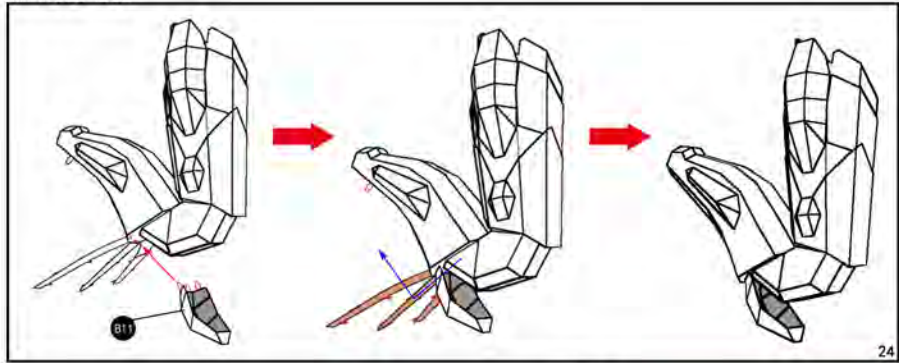


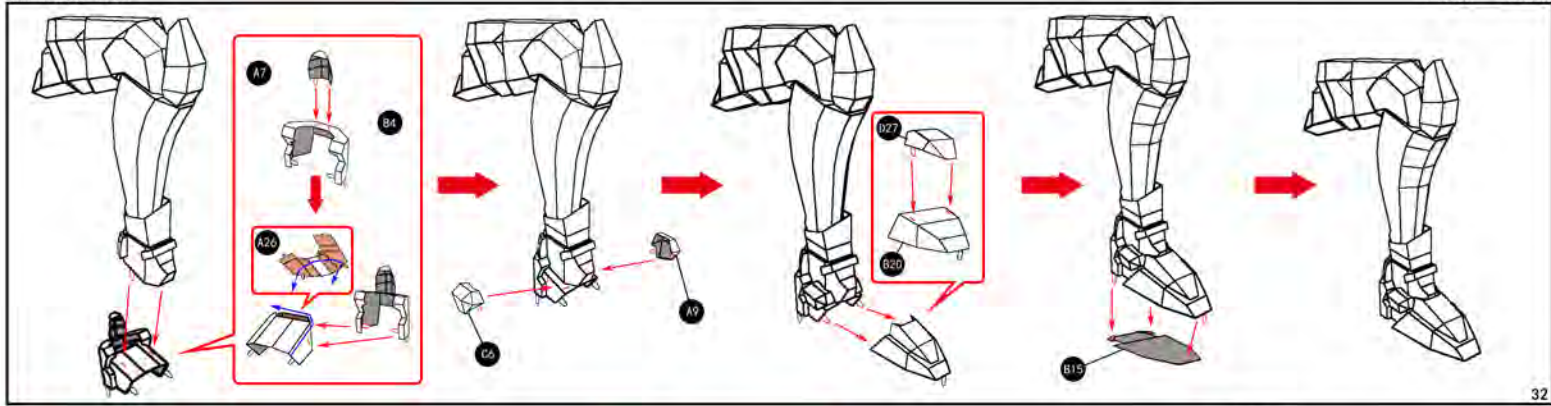
13



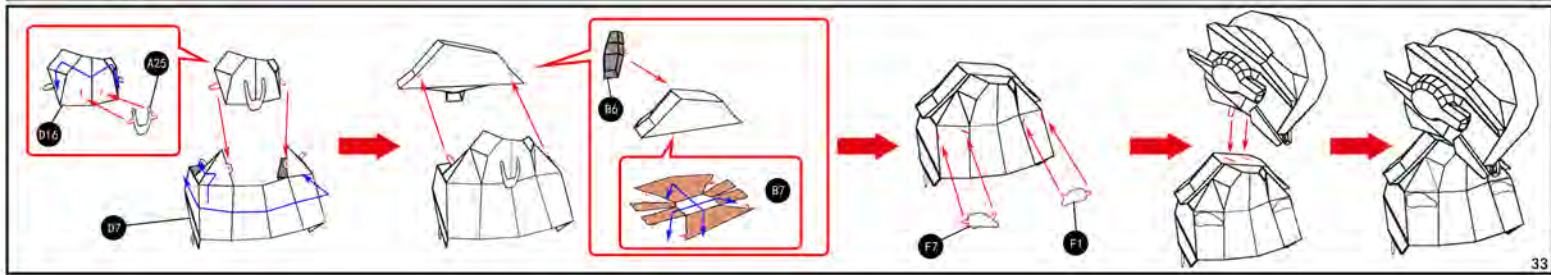
14



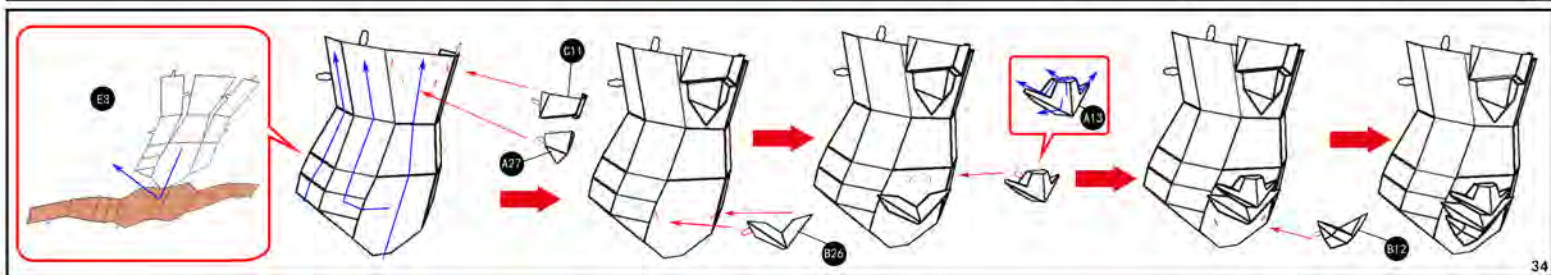




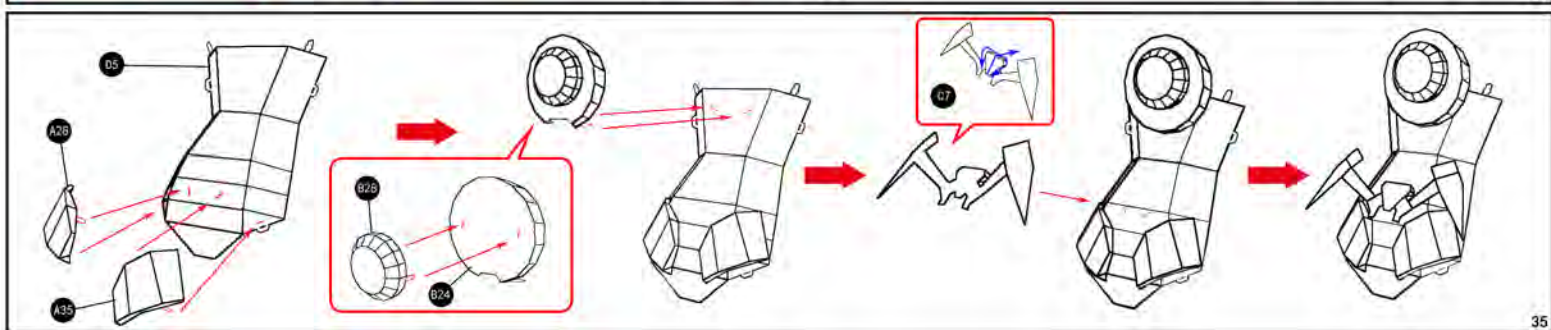
32



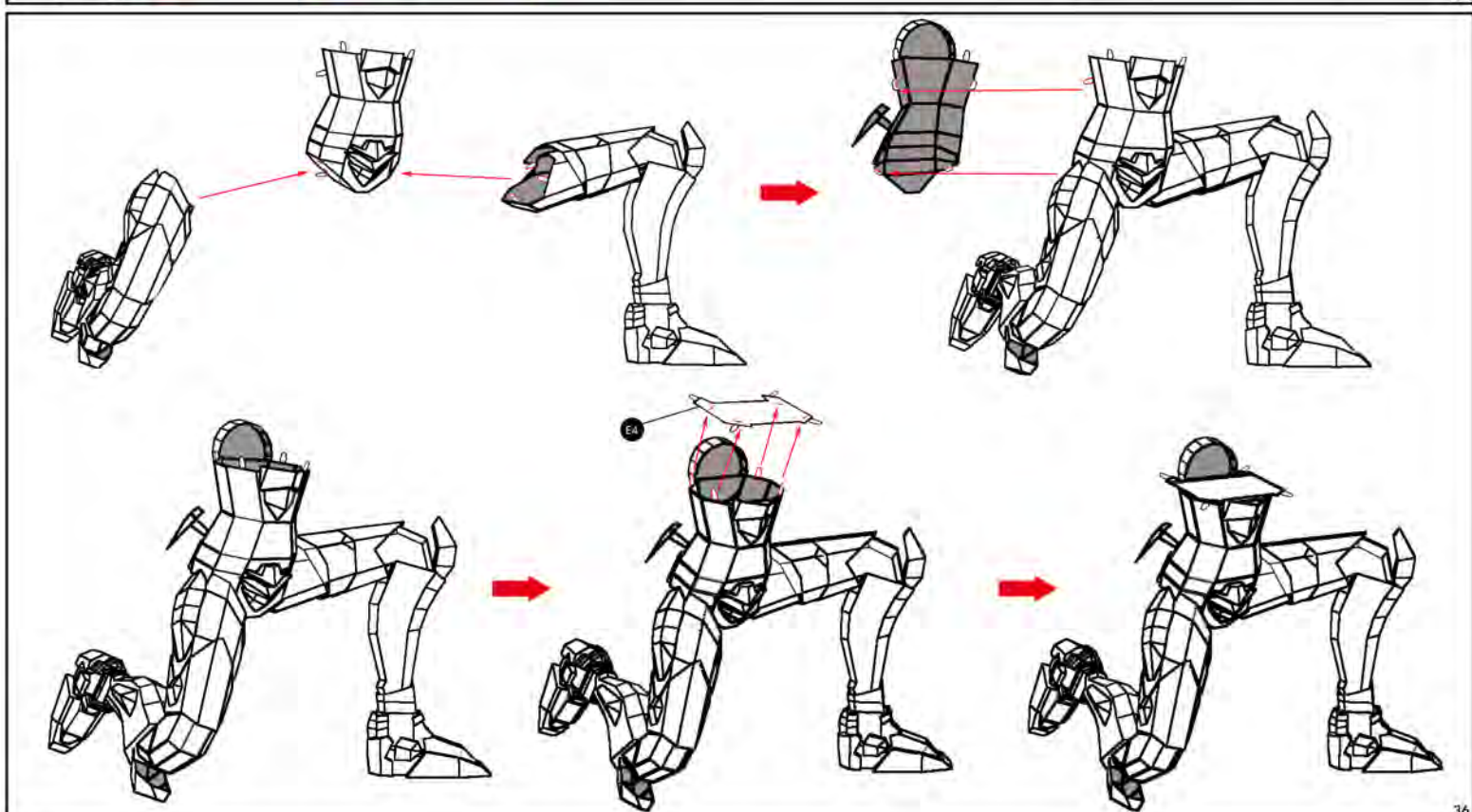
33



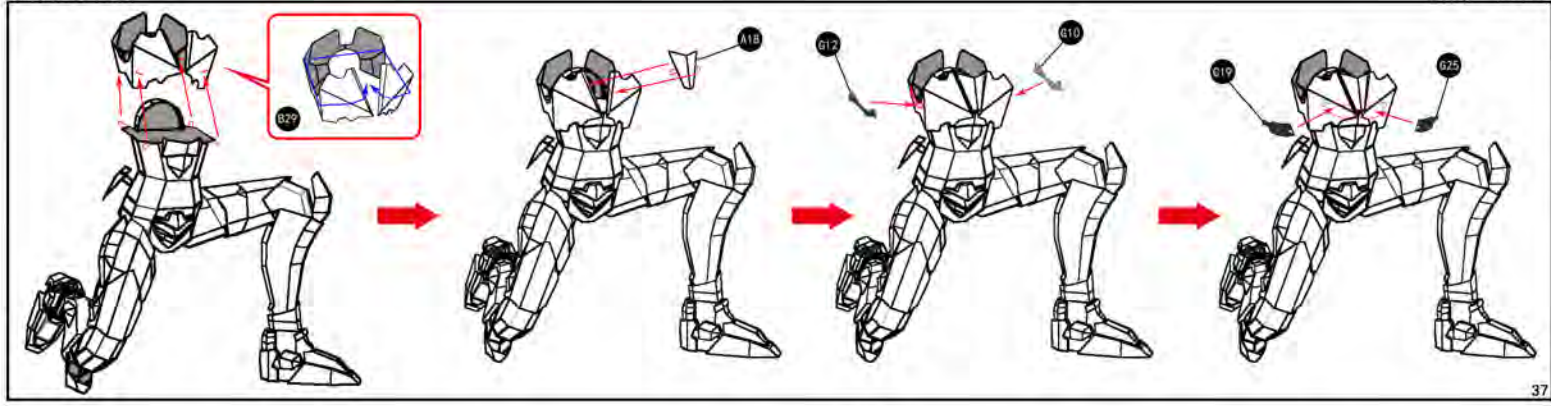
34



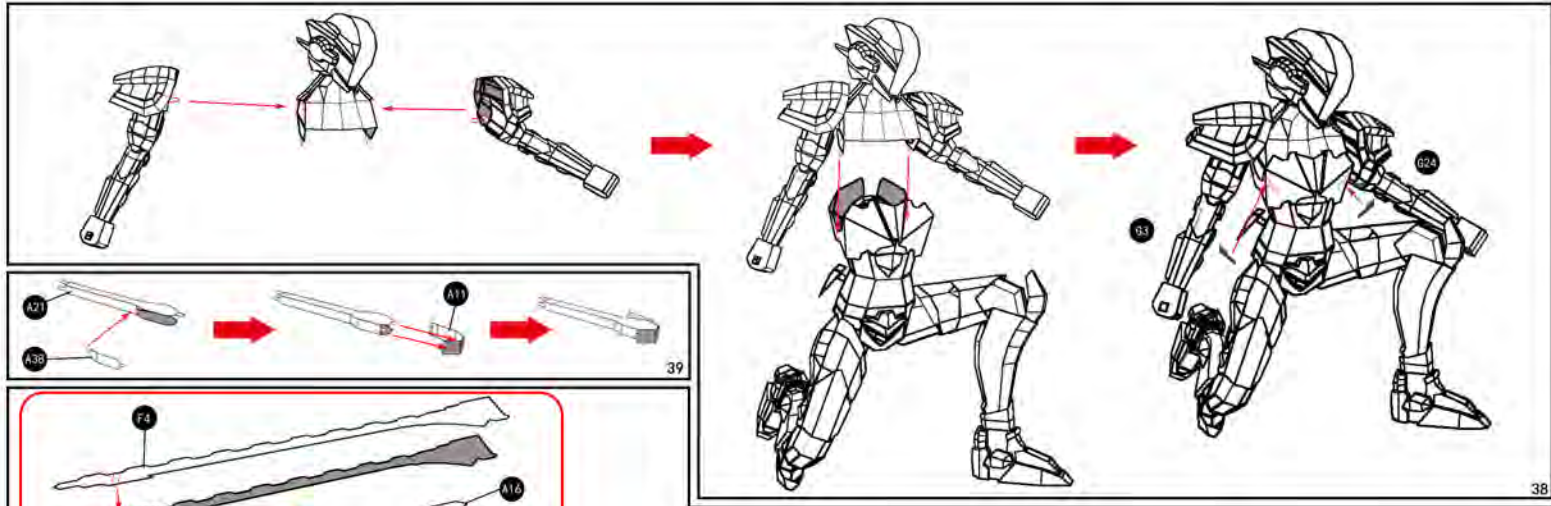
35



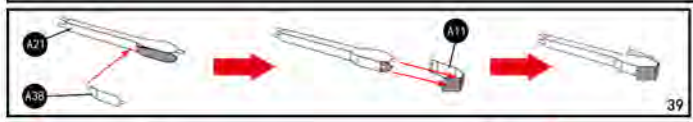
36



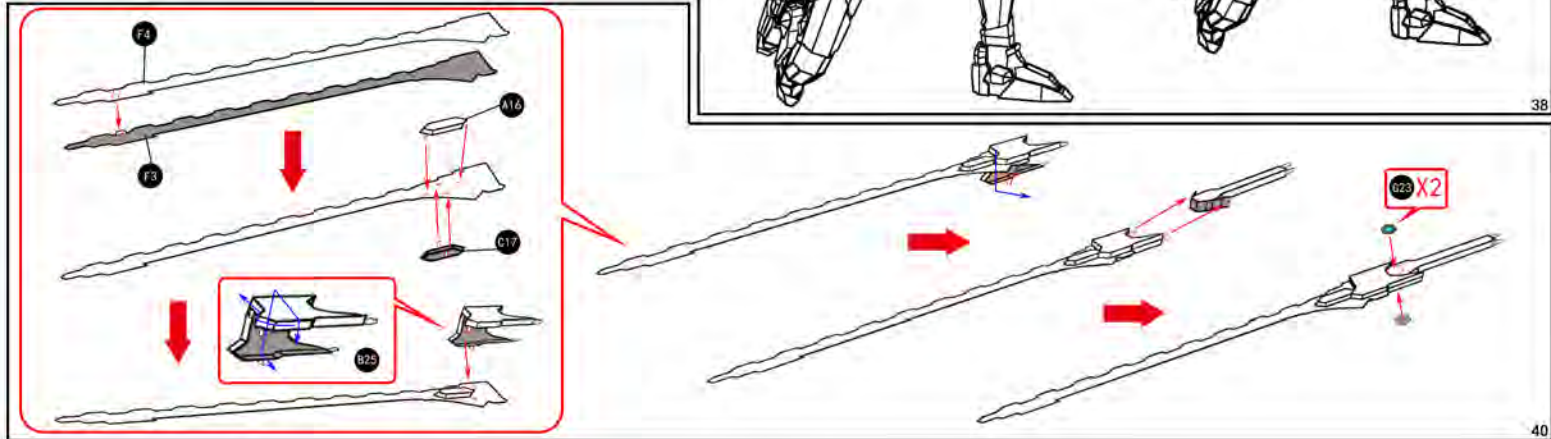
37



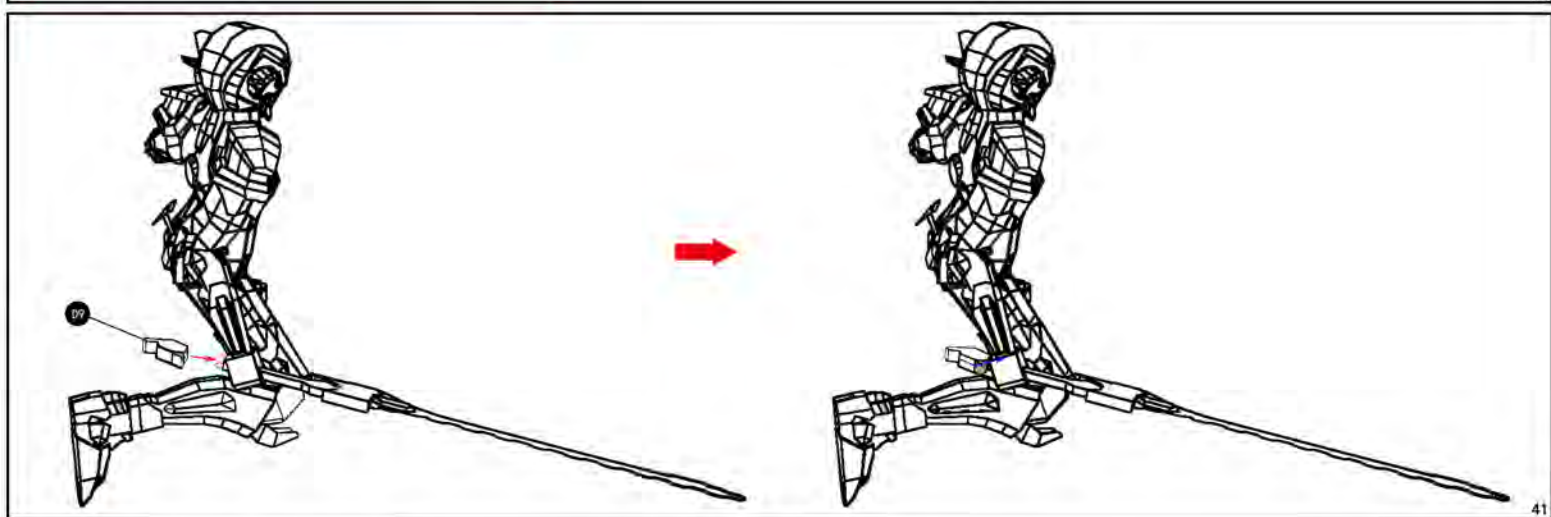
38



39



40



41

MU 艺模
 MU art model

扫码加入微信公众号 解锁更多模型
 Scan the two-dimensional code to join us and unlock more models.

上海艺模电子科技有限公司
 Shanghai Art Model Electronic Science and Technology Co., Ltd.

Tel: 021-58942999
 Website: www.maplemu.com

Design by: Remember
 因幡Tewi
 EterNaL



关注我们
 focus on us